

THERMAL CLEANING OF METAL PARTS & TOOLS

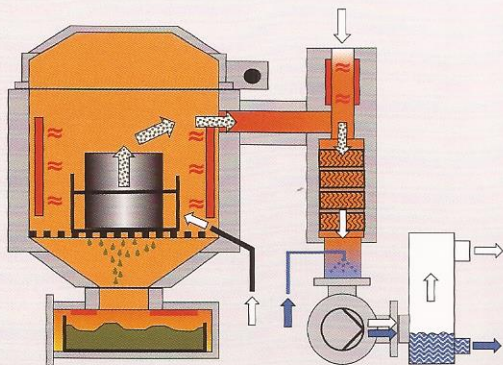


Systems & Services for the Plastics, Fiber and Nonwovens Industries



Clean, safe & fast ■ German Art of Engineering since 1969

SYSTEM VACUCLEAN



CLEANING TIME: 8-26 h

VACUCLEAN gently removes organic contamination from heat resistant metallic parts by melting it off and thermal decomposition under vacuum.

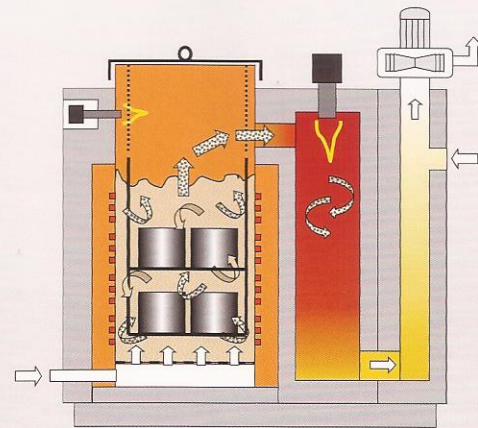
ADVANTAGES

- Especially gentle cleaning of temperature sensitive parts and tools
- Only electricity and water required
- Catalytic converter for off-gas cleaning

Especially recommended for:

- Spinnerets, non-woven dies
- Filter bundles, leaf disks
- Blown film die heads
- Extruder screws

SYSTEM INNOVACLEAN



CLEANING TIME: 1-2 h

INNOVACLEAN removes all organic contamination (including halogenated polymers) from heat resistant metallic parts by thermal decomposition in a fluidized bed.

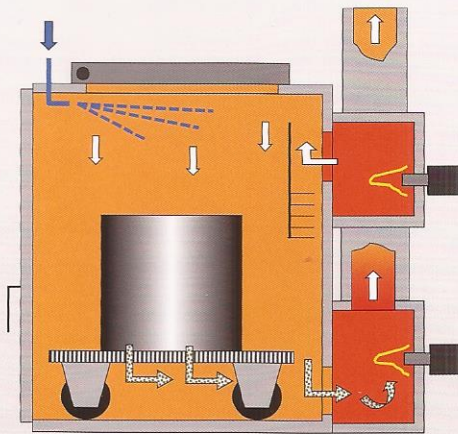
ADVANTAGES

- Very short cleaning times
- Suitable for all polymers (incl. PVC, PTFE, PEEK)
- Highest flexibility

Especially recommended for:

- Spinnerets
- Assembled spin packs
- Special profile dies
- Hot runners

SYSTEM MAXICLEAN



CLEANING TIME: 4-8 h

MAXICLEAN is a gas-heated thermal cleaning system. It removes all organic contamination from larger metal parts and tools by thermal oxidation.

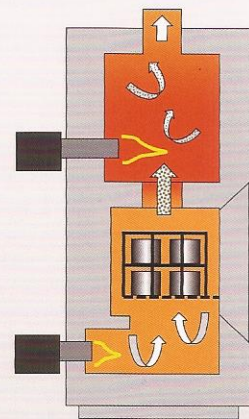
ADVANTAGES

- For large parts and machine tools
- Applicable for large amount of polymers
- Suitable for most polymers

Especially recommended for:

- Filter bundles
- Extruder screws
- Large extrusion dies and breaker plates
- Large hot runners

SYSTEM COMPACTCLEAN



CLEANING TIME: 3-5 h

COMPACTCLEAN is a small gas heated thermal cleaning system, which removes organic contamination via thermal oxidation. It can be integrated easily into a workshop.

ADVANTAGES

- Low investment
- Suitable for most polymers
- Ideal size for lab and pilot plant use

Especially recommended for:

- Non-return valves
- Breaker plates
- Hot runners
- Needle valves, nozzles

OUR EXPERTISE – YOUR BENEFITS

TYPICAL COMPONENTS

- Injection moulding:
 - Screws
 - Nozzles
 - Static mixers
 - Needle valves
 - Non-return valves
 - Hot runners

- Extrusion:
 - Screws
 - Screw elements
 - Breaker plates
 - Screen changers
 - Filter, Filter plates
 - Profile dies
 - Blown film die heads

- Fiber / Nonwovens:
 - Spin packs
 - Spinnerets
 - Spinning pumps
 - Spinning beams
 - Filter bundles, candles

FOR ALL POLYMERS

- Polyolefins: PE, HDPE, PP, PB, EVA, EVOH
- Polyesters: PET, PBT, PC, PTT, PEN
- Polyamides: PA6, PA6.6, PA12, PPA
- Halogenated Polymers: PVC, PTFE, PVDF
- Polyacrylates: PAN, PBA, PMA, PMMA
- Polystyrenes: PS, ABS, SB, SBS, SAN
- Polysulfides: PPS, PSU, PES, PPSU
- Biopolymers: PLA, PEA, PVAL, PPOX
- Polyetherketones: PAE, PEK, PEEK
- Polyimides: PI, PBI, PEI, PBO, PMI
- Polyurethanes: PUR, TPA, TPO, TPU
- Special Polymers: LCP, POM, BR, NBR
- Your specific polymer: ...

PERFECTLY CLEAN

- Removal of all polymers
- Free of all polymers & carbon residues
- No damage to parts and tools

FLEXIBLE SOLUTIONS

- All thermal cleaning methods
- Systems for assembled, disassembled and complex parts and tools
- All sizes and geometries of parts

INTELLIGENT & SAFE

- Easy and safe operation
- Intelligent control systems
- Automated process management

ENVIRONMENTALLY FRIENDLY

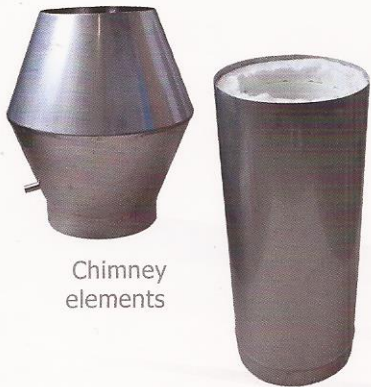
- Integrated or separate off-gas cleaning
- No polluted water
- Minimized energy consumption

SERVICE & SUPPORT

- Process consulting and planning
- Commissioning and training
- Technical support

ACCESSORIES

Depending on the parts to be cleaned, polymer, Thermal Cleaning System and environmental requirements, SCHWING offers optionally a variety of accessories and post treatment systems:



Chimney elements



Loading baskets, tables and racks



Thermal afterburning systems



Ultra sonic & rinsing units



Shot blasting systems



Quality inspection systems



CLEANING SERVICES

SERVICE
CONTRACTCLEAN

Working from their manufacturing headquarters in Germany, SCHWING designs, engineers, manufactures and markets the most advanced Thermal Cleaning Systems since 1969. Valuable experience resulting in industrial leadership and excellent processes with perfect results for the plastics and fiber industry.

For more than 20 years, the SCHWING Group has provided high quality contract cleaning services from different locations around the world.

More than 250,000 parts are cleaned for hundreds of customers every year. Having this experience and know-how provides strong application support for customers.

Depending on the specific requirements or applications, different thermal cleaning systems are available to remove organic contamination.

The complete range of equipment, including chamber volumes up to 15 m³, can handle component weights up to 5,000 kgs (for example a blown film die head) with lengths up to 6 meters (e.g. non-woven dies and screws).



In order to obtain completely clean parts, special and carefully selected post treatments have been devised especially for complex parts like spinnerets, spin packs and hot runners.

Precise process control, strict quality procedures and inspection techniques ensure the cleaning result is always checked and documented.

SCHWING has the complete know-how and total experience for all procedures required in thermal cleaning. Take this experience for all of your sophisticated cleaning tasks.

SCHWING
TECHNOLOGIES

SCHWING Fluid Technik GmbH
Oderstrasse 7
47506 Neukirchen-Vluyn · Germany
Phone: +49 2845 930-0
E-mail: info@schwing-tech.com
www.schwing-technologies.com



Measured Solutions, Inc.

Trusted Resource. Precise Results.

103 Pilgrim Road
Greenville, SC 29607
(864) 331-1810 Fax (864) 281-7744